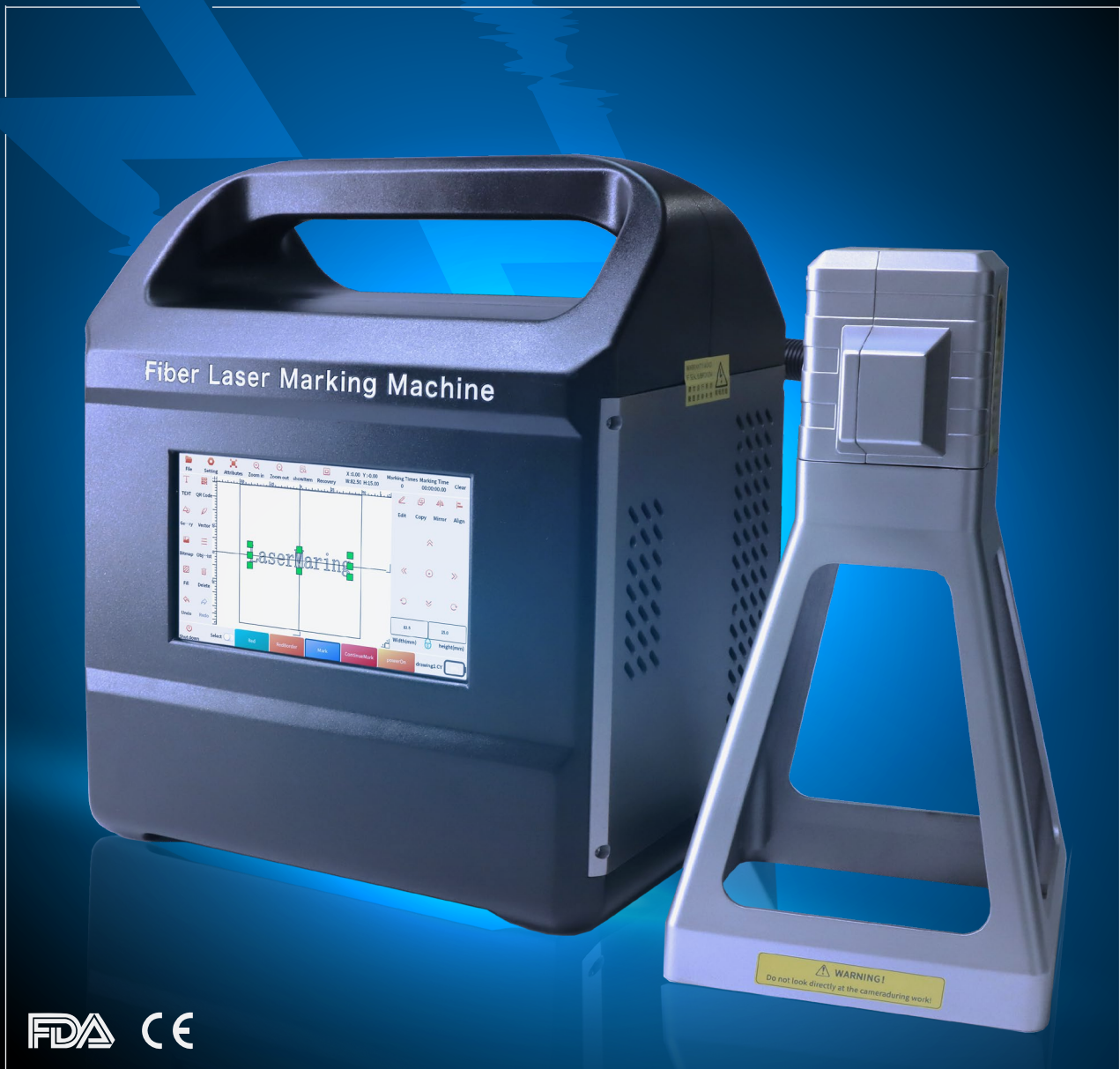


PORTABLE HANDHELD Fiber Laser Marking Machine Solutions



FDA CE

△Small size and light weight (6 KG)

△Supports multiple file format types

△Support lithium battery offline marking (6-8H)

△With self-start and stop function,-

prolong the life of lithium battery, the life of laser and galvanometer motor is longer

PORTABLE HANDHELD FIBER LASER MARKING MACHINE

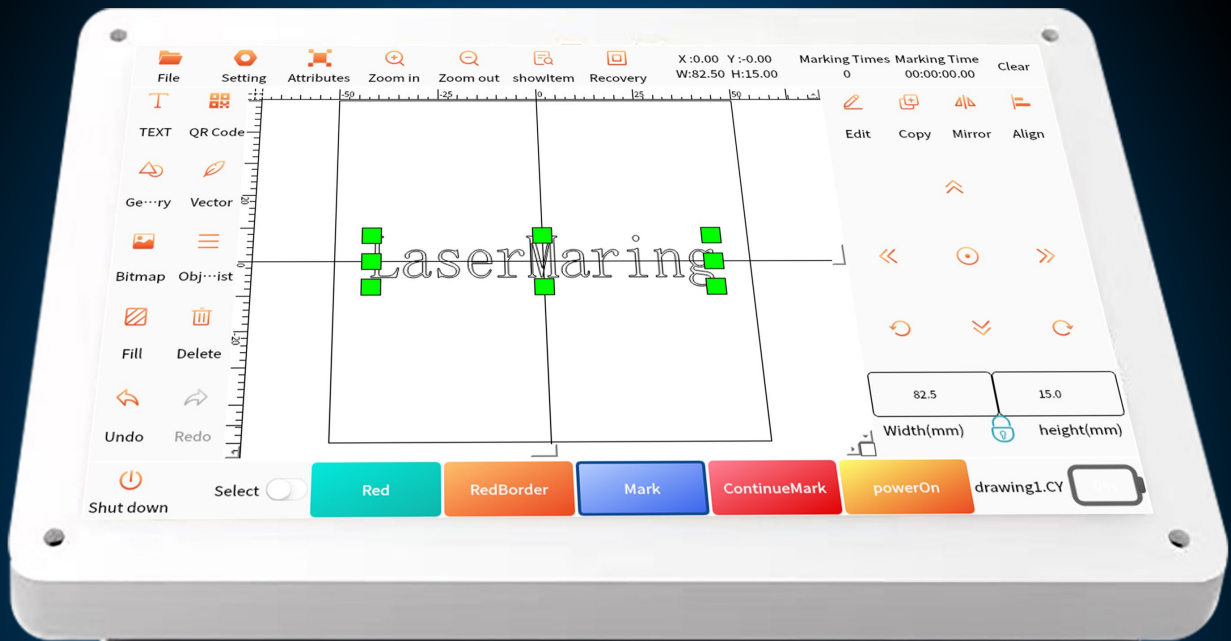
Red light positioning, no need to adjust focus, easier operation, clearer marking



EMBEDDED LASER INTELLIGENT SCANNING SYSTEM

PRESSURE TRACKPAD FOR EASY GESTURE CONTROL

SUPER DESKTOP SUPER TERMINAL BEYOND IMAGINATION



HD MARKING



PRECISE POSITIONING



TOUCH SCREEN EDITING



U DISK IMPORT



VARIETY OF INTERFACE

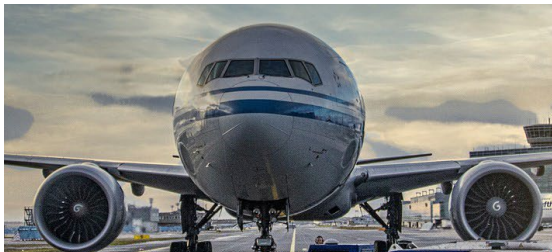
PORTABLE HANDHELD FIBER LASER MARKING MACHINE

Product	Lithium battery style	Power supply style
Model	LMB20 / LMB30 / LMB50	LM20 / LM30 / LM50
Complete	engineering plastic	
Machine material	engineering plastic	
Laser type	Optical Fiber Laser Generator	
Laser power	20W/30W/50W	
Laser wavelength	1064 nm	
Maximum pulse energy	0.7mJ/1mJ/1.1mJ	
Frequency adjustable range	27-170 kHz	
Print way	High-precision two-dimensional scanning mode	
Scaling speed	≤7000mm/s	
Operation interface	Built-in 7-inch touch screen, Linux operating system	
Cooling method	Built-in air cooling	
Type of marking line	lattice and vector all-in-one machine (both lattice and vector)	
Reflector size	Standard standard: 10mm	
Scope of marking	100mm*100mm	
Location mode	Red light positioning	
Number of scaled characters	Any row within the marking range	
Print out rate	600 Character / second (specific speed is related to product material, print content)	
Language	Simplified Chinese, English, Korean, German, Arabic numerals, ect	
File format	png、jpg、bmp、dxf、plt、svg	
Barcode / QR code	CODE25, CODE39, CODE49, CODE93, CODE126, CODE128, EAN13, EAN128, PDF417, CODBAR, UPCA, UPCA_CHK, UPCE_CHK, DataMatrix, QRCode et al	
Source	220V/110V	
Maximum power consumption	20W: 120W / 30W: 150W / 50W: 200W	
Machine net weight	8.4KG	6KG
Full power	6-8 hours (lithium battery)	
Continuous working hours	6-8 hours (lithium battery)	
Adapt to the temperature	0-40°C	
Relative humidity of environment	30-85 RH (no-condensation)	
Appearance size	330mm*280mm*200mm	
Type of marking	QR code, bar code, Chinese, English, date, logo, pattern, ect	



PORTABLE HANDHELD FIBER LASER MARKING MACHINE

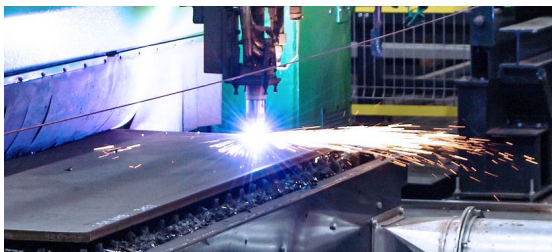
APPLICATION AREA



AEROSPACE INDUSTRY



AUTOMOBILE MANUFACTURING
INDUSTRY



METAL PROCESSING INDUSTRY



CONSTRUCTION MACHINERY
INDUSTRY

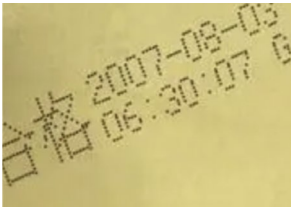


ENERGY INDUSTRY



HOME APPLIANCE INDUSTRY

SUPPORT MULTIPLE CONTENT



DATE



SERIAL NO



QR CODE



WORD



IMAGE

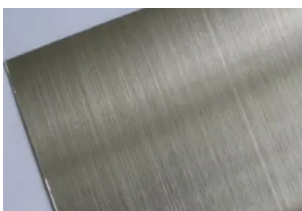


BAR CODE

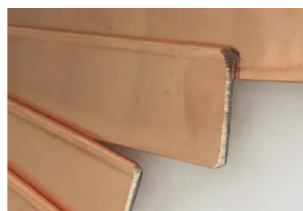
EASY TO HANDLE ALL KINDS OF MATERIALS

SUITABLE FOR A VARIETY OF PRODUCTION MATERIALS

(metal; Steel, iron, aluminum, zinc, copper, etc., arc, hard plastic, lacquered, paper box, melamine board)



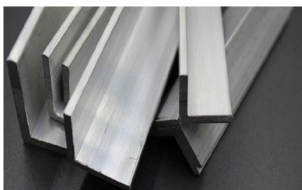
STEEL



COPPER



ZINC



ALUMINUM

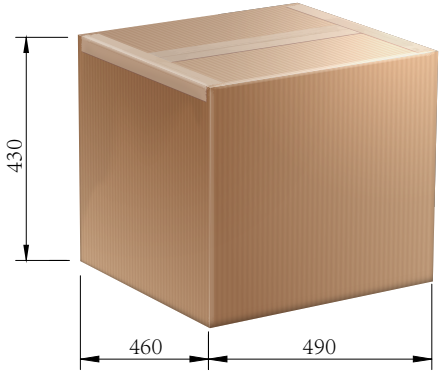
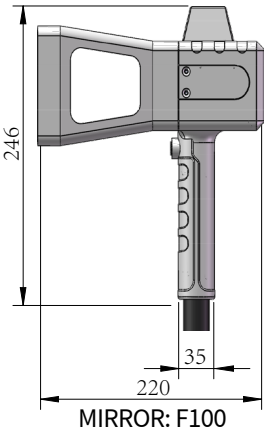
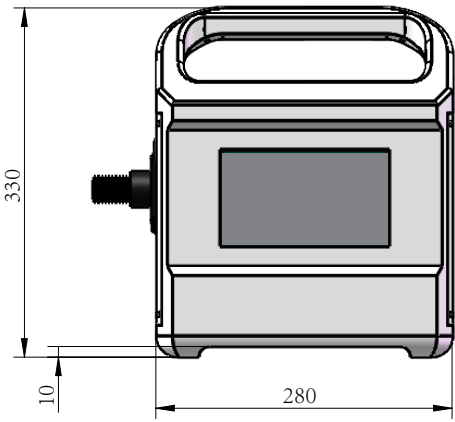
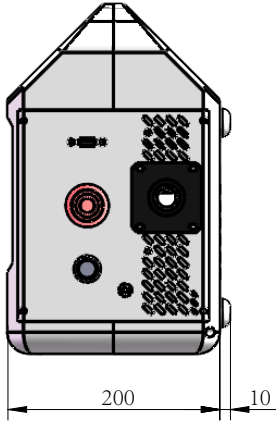
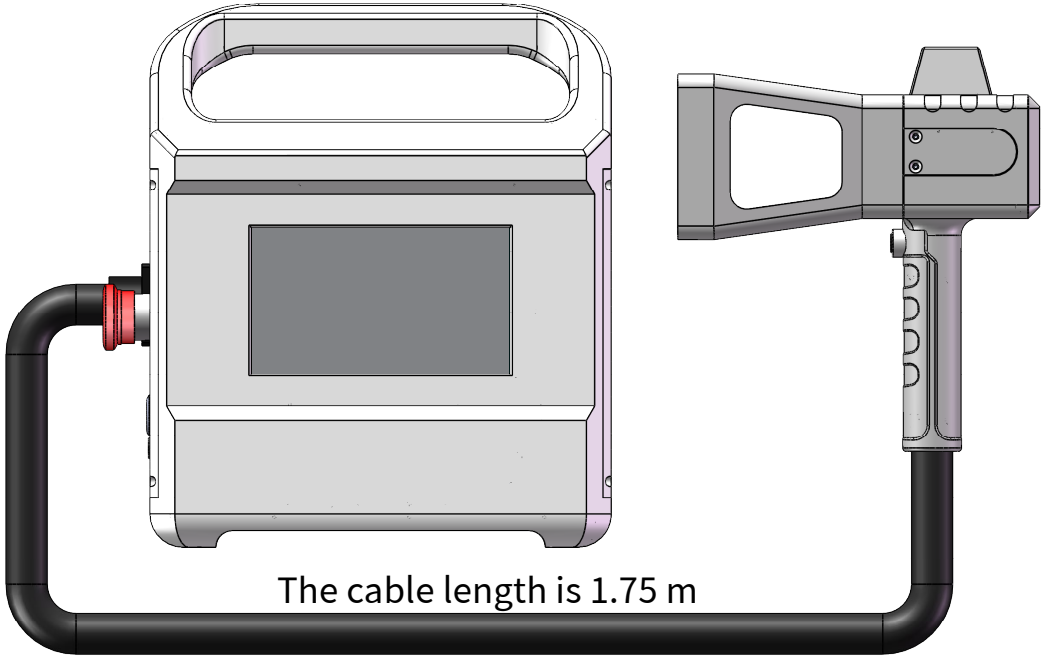


HARD PLASTIC



MELAMINE WOOD
PLANKS

EQUIPMENT AND PACKAGE SIZE



OUTER PACKING SIZE: 490*460*430mm
TOTAL WEIGHT AFTER PACKING IS ABOUT 10KG